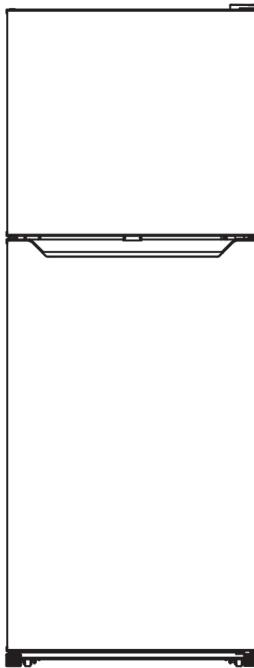




FROST FREE REFRIGERATOR INSTRUCTION MANUAL Model

No.: KN-458WA



To ensure proper use of this appliance and your safety, please read the following instructions completely before operating this appliance.

This appliance is intended to be used in household and similar applications such as:

- staff kitchen areas in shops, offices and other working environments;
- farm houses;
- by clients in hotels, motels and other residential type environments;
- bed and breakfast type environments;
- areas for communal use in blocks of flats or in launderettes.

IMPORTANT SAFETY INSTRUCTIONS



To reduce the risk of fire, electrical shock, or injury when using your refrigerator, follow these basic precautions:

- **WARNING:** This appliance is not intended for use by persons (including children) with reduced physical, sensory or mental capabilities, or lack of experience and knowledge, unless they have been given supervision or instruction concerning use of the appliance by a person responsible for their safety.
- **WARNING:** Keep ventilation openings, in the appliance enclosure or in the built-in structure, clear of obstruction.
- **WARNING:** Do not use mechanical devices or other means to accelerate the defrosting process, other than those recommended by the manufacturer.
- **WARNING:** Do not damage the refrigerant circuit.
- **WARNING:** Do not use electrical appliances inside the food storage compartments of the appliance, unless they are of the type recommended by the manufacturer.
- ◆ Do not store explosive substances such as aerosol cans with a flammable propellant in this appliance.

Symbol ISO 7010 W021 is used, its meaning is explained as follows:



Warning: risk of fire / flammable materials

The instructions for refrigerating appliances and ice-makers shall include the substance of the following:

- **WARNING:** When positioning the appliance, ensure the supply cord is not trapped or damaged.

– **WARNING:** Do not locate multiple portable socket-outlets or portable power supplies at the rear of the appliance.

◆**DANGER: Risk of child entrapment.**

◆This appliance should not be used by children aged 8 years and above or persons with reduced physical, sensory or mental capabilities or lack of experience and knowledge unless they are supervised or instructed concerning use of the appliance in a safe way and they understand the hazards involved.

◆Children should be supervised to ensure that they do not play with the appliance.

◆Cleaning and user maintenance must not be performed by children without supervision. Children aged from 3 to 8 years are allowed to load and unload refrigerating appliances.

◆To avoid the possibility of child entrapment; please take the following precautions before disposing of the refrigerator.

- Remove all doors from the unit.

- Leave the shelves in place so that children cannot easily climb inside.

-Save these instructions-



WARNING:

This refrigerator should be properly grounded for your safety. The power cord of this refrigerator is equipped with a three-prong plug which is compatible with standard three-prong wall outlets to minimise the possibility of electrical shock.

This refrigerator requires a standard 110V~/60Hz electrical outlet with three-prong grounded socket.

Do not, under any circumstances, cut or remove the third ground prong from the power cord supplied.

Improper use of the grounded plug can result in the risk of electrical shock.

This refrigerator is not designed to be used with an inverter.

The cord should be secured behind the refrigerator and not left exposed or dangling, so as to prevent accidental injury.

Never unplug the refrigerator by pulling the power cord. Always grip the plug firmly and pull straight out from the socket.

Do not use an extension cable with this appliance. If the power cord is too short, have a

qualified electrician or service technician install an outlet near the appliance. Use of an extension cord can negatively affect the performance of the unit.

- **WARNING: If the supply cord is damaged, it must be replaced by the manufacturer, its service agent or similarly qualified persons in order to avoid a hazard.**

■Special note for user as following:

1. The refrigerator should be keeping in ventilation place, cut off the power when any exceptional things happen and contact factory timely.
2. Around the refrigerator especial the compressor area no fair is allowed, in case of refrigerant leakage causing personal injury.
3. Never use any spray near the refrigerator. It can cause danger of explosion.
4. Do not use any sharp tools when cleaning the inside. The cooling system can be damaged or there may be electric shock.
5. Do not place the foods too close to vents, as this can obstruct free air circulation.

Attention!

1. When storing food, wrap it in plastic wrap or store it in a container with a lid; this prevents odours and keeps it dry. Opening the door for long periods can cause a significant increase of the temperature in the compartments of the appliance.
2. There should be sufficient space between each item of food; do not store too much food.
3. To save electricity, do not open the door too frequently.

Clean regularly surfaces that can come in contact with food and accessible drainage systems.

4. Store raw meat and fish in suitable containers in the refrigerator, so that it is not in contact with or drip onto other food.
5. If the refrigerating appliance is left empty for long periods, switch off, defrost, clean, dry, and leave the door open to prevent mould developing within the appliance.

INSTALLATION INSTRUCTIONS

Before Using Your Refrigerator

- Remove the exterior and interior packing.
- Before connecting the refrigerator to the power source, let it stand upright for approximately 4 hours. This will reduce the possibility of a malfunction in the cooling system from improper handling during transportation.
- Clean the interior surface with lukewarm water using a soft cloth.

Installing Your Refrigerator

- This appliance is designed to be free standing only, and should not be recessed or built-in.
- Place your refrigerator on a floor that is strong enough to support the refrigerator when it is fully loaded. Allow 5 inches of space between the back and sides of the refrigerator, which allows the proper air ventilation. Adjust the feet to keep the refrigerator level. Turn clockwise to raise the unit, Turn counterclockwise to lower the unit. Let the right adjustable feet touch the floor firmly, while the left smoothly.

- Locate the refrigerator away from direct sunlight and sources of heat (stove, heater, radiator, etc.). Direct sunlight may affect the acrylic coating and heat sources may increase electrical consumption. Ambient temperature below 50°F or above 85°F will hinder the performance of this appliance.

This unit is not designed for use in a garage or any other outside installation.

- Avoid locating the refrigerator in moist areas.
- Plug the refrigerator into dedicated, properly installed-grounded wall outlet. Do not under any circumstances cut or remove the third (ground) prong from the power cord. Any questions concerning power and/or grounding should be directed toward a certified electrician or an authorized service center.

This unit is not designed to be installed in an RV or used with an inverter.

- After plugging the appliance into a wall outlet, turn the unit on and allow the unit to cool down for 2~3 hours under before placing food in the refrigerator or freezer compartment.

Cautions

- ◆ A single tri-pin plug must be earthed with a 5A fuse.

No earthing through pipes, telephone wires or gas pipes.

Using improper voltage may result in damage to the appliance and possible injury to the user. Correct voltage is listed on the rating label, beyond which a manostat 300W or more should be installed depending on situations.

No application of disqualified plugs or socket.

To avoid damage to the vital part, wait at least 5 minutes before replugging after a power cut.

- ◆ No toxic, inflammable, explosive objects and caustic objects (propane lighter gas, glue, petroleum, alcohol, toluol and so on).

- ◆ Keep the refrigerator body from water and don't put containers with water on the top cover to avoid electric shock or fire.

- ◆ Shut off the valve immediately and open the windows for ventilation in case of gas release.

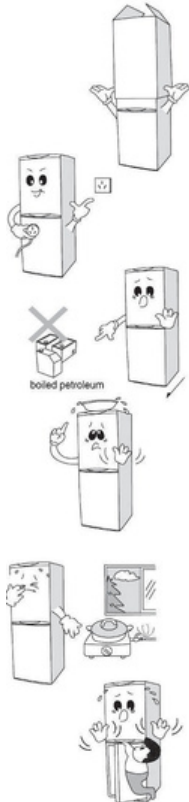
The refrigerator plug must not be touched to avoid an explosion.

- ◆ To avoid the refrigerator slant down or other accidents, please don't pull the refrigerator door violently, or let kids hang on the door or play inside.

- ◆ Power cut

Open the door as few as possible.

Don't put any food into the refrigerator any more.



- ◆When stop applications for quite a long time.

Refrigerators should be used consecutively. To avoid affecting the service life, the refrigerator should be kept on operating even if there's no food preserved. Unplug the refrigerator when out of work for quite a long time, so as to avoid electric shock or fire caused by insulation aging. Dry the inside with tablecloth. Dispose the refrigerator in a ventilate place after air-drying.

- ◆Please move the plug away from the socket if you do not use it for quite a long time.

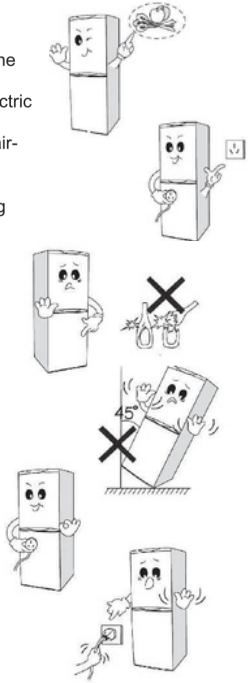
- ◆Do not place bottles in the freezer, to avoid split for being frozen.

- ◆Be careful when move the refrigerator.
Please refer to the related instructions in the book.

- ◆Hold the plug instead of the wire when move away the plug.

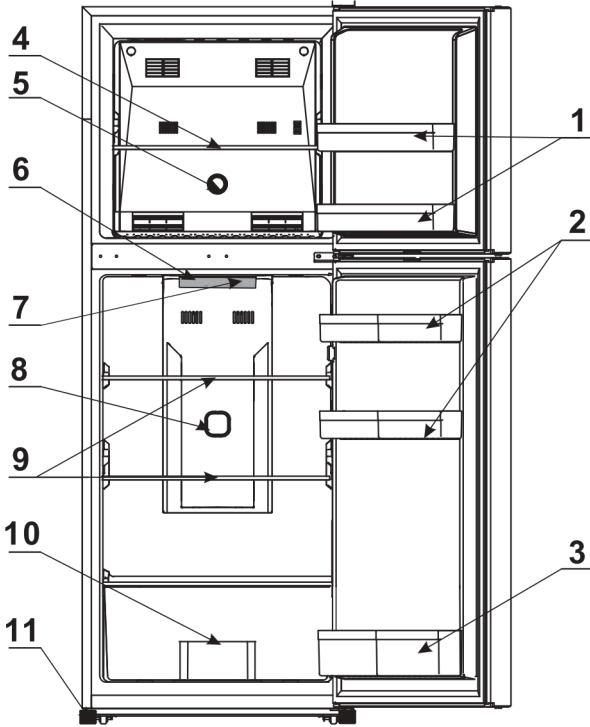
- ◆Do not switch or plug the refrigerator with wet hands.

⚠WARNING⚠: Never touch the interior of the Freezer Chamber or frozen foods in the compartment with wet hands as this could result in frost bite.



NAMES OF THE PARTS

KN-338WA



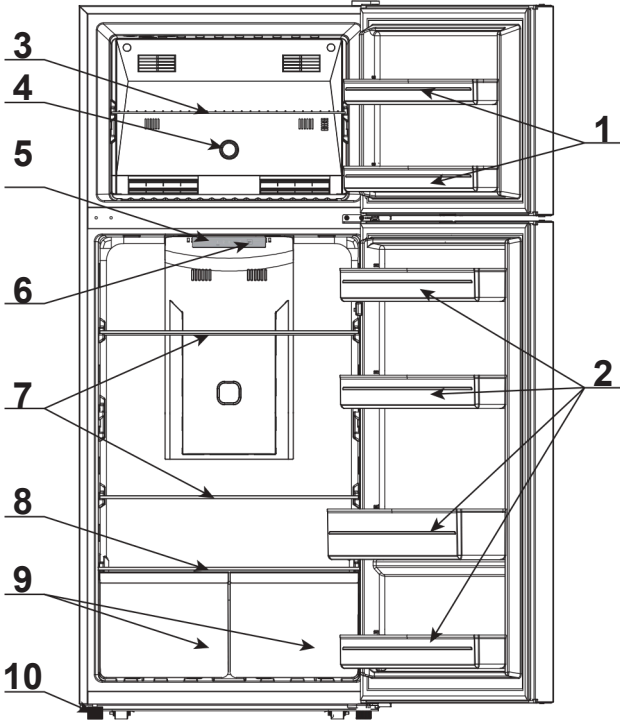
- | | |
|--|--------------------------|
| 1.FREEZER BIN | 2.REFRIGERATOR BIN |
| 3.BOTTLE SHELF | 4.FREEZER SHELF |
| 5.FREEZER TEMPERATURE CONTROL KNOB | 6.LAMP COVER |
| 7. REFRIGERATOR TEMPERATURE CONTROL KNOB | 8. AIR PURIFICATION UNIT |
| 9. REFRIGERATOR SHELF | 10. CRISPER |
| 11. LEVELING LEG | |

Caution:

The accessories vary from type to type. Please refer to the packing list for details.

NAMES OF THE PARTS

KN-458WA



- | | |
|----------------------|---|
| 1.FREEZER BIN | 2.REFRIGERATOR BIN |
| 3.FREEZER SHELF | 4.FREEZER TEMPERATURE CONTROL KNOB |
| 5.LAMP COVER | 6.REFRIGERATOR TEMPERATURE CONTROL KNOB |
| 7.REFRIGERATOR SHELF | 8.CRISPER COVER |
| 9.CRISPER | 10.LEVELING LEG |

Caution:

The accessories vary from type to type. Please refer to the packing list for details.

Application

■Refrigerator

The temperature in the refrigerator is some 0°C-10°C, which is applicable to preserve food, such as vegetables and fruits, for a short period.

Optimize the preservation and make full use of the space by sorting the food.

Sorting sample:

■Freezer

The temperature is less than -18°C in the freezer, which is applicable to preserve food need to be kept for a long period, such as meat and fish. Glass items contained liquid cannot be kept in the freezer.

Limit the food reserved in the range of the freezing capacity.

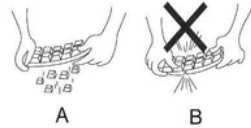
Caution:

Keep the following things out of the freezer-carbonating beverage and instant cold pack in the market (such as ammonium-nitrate and carbamide).

■Ice-making

Drop cold boiled water or beverage into cleaned ice tray until it reaches 80 per of the tray. Then put the tray into the freezer.

Bend the tray a little (as A), avoid spoiling ice tray with over strength (as B). If the product is equipped with ice maker, it is operated according to the pattern of the panel.



OPERATING YOUR REFRIGERATOR

Temperature Control

REFRIGERATOR COMPARTMENT



¶The cold storage temperature control button is located at the top of the cold room, press the "SET" key, you can adjust the temperature of the cold storage; (The refrigeration temperature control button is located at the top of the refrigerator compartment. Press the "SET" button to adjust the refrigerator temperature;)

¶The first time you turn the unit on, adjust the temperature control button to "5" and run for at least 2 hours before putting foods inside. This will ensure the cabinet is thoroughly chilled before food is put in.

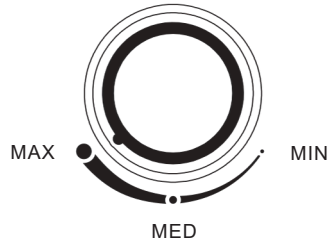
¶The range of the REFRIGERATOR temperature control is from position "1" the warmest to "5" the coldest. Adjust the temperature control to the setting that best suits your needs. The setting of "3" should be appropriate for home or office refrigerator use.

• NOTE;

- If the unit is unplugged, loses power; you must wait 3 to 5 minutes before restarting the unit. If you attempt to restart before this time delay, the refrigerator will not start.
- Large amounts of food will lower the cooling efficiency of the appliance.
- Do not place the foods on the air outlet, and leave spaces for airflow.
- If you choose to change the thermostat setting, adjust thermostat control by one increment at a time. Allow several hours for temperature to stabilize between adjustments.
- Adjusting the temperature control in the refrigerator compartment will affect the temperature in both the refrigerator and the freezer compartment.

FREEZER COMPARTMENT

- Your refrigerator has one control for regulating the temperature. The temperature control is located on the middle of the freezing chamber.
- The first time you turn the unit on, adjust the temperature control knob to "MAX" and run for at least 2 hours before putting foods inside. This will ensure the cabinet is thoroughly chilled before food is put in.
- The range of the FREEZER temperature control is from position "MIN" the warmest to "MAX" the coldest. Adjust the temperature control to the setting that best suits your needs. The setting of "MED" should be appropriate for home or office refrigerator use.



The Freezer Compartment

- This compartment is designed for the long-term storage of frozen food. Storage time period is up to three months.
- The storage life of frozen foods varies and the recommended storage time should not be exceeded.
- Place frozen food into the freezer as quickly as possible after purchase. If there are instructions on the packet, carefully follow these instructions regarding storage times.

Changing the Light board

LED lamp can not replaced by user, if the LED lamp is damaged
Please contact the nearest authority to replace it.

CARE AND MAINTENANCE

Cleaning Your Refrigerator

- Upon installation of your new appliance, it is recommended that it be cleaned thoroughly.
- Turn off the refrigerator first and then unplug the unit from the wall outlet.
- Remove all food content.
- Wash the inside with a damp warm cloth soaked in lukewarm water and baking soda solution. The solution should be about 2 tablespoons of baking soda to a quart of water.
- Be sure to keep the door gasket (seal) clean to keep the unit running efficiently.
- The outside of the refrigerator should be cleaned with mild detergent and warm water.
- Dry the interior and exterior with a soft cloth.
- The condenser coils should be vacuumed when they are dusty or dirty.
- To keep the inside sanitary without odor or dirty, regular cleaning required at least once a month.

Vacation Time

- Turn off the refrigerator first and then unplug the unit from the wall outlet.

- Remove all the food.
- Clean the refrigerator.
- Leave the lid open slightly to avoid possible formation of condensation, mold, or odors.
- Use extreme caution in the case of children. The unit should not be accessible to child's play.
- **Short vacations:** Leave the refrigerator operating during vacations of less than three weeks.
- **Long vacations:** If the appliance will not be used for several months, remove all food and unplug the power cord. Clean and dry the interior thoroughly. To prevent odor and mold growth, leave the door open slightly: blocking it open if necessary or have the door removed.

Moving Your Refrigerator

- Turn off the refrigerator first and then unplug the unit from the wall outlet.
- Take the food out of the refrigerator and empty the ice from the ice tray.
- Remove the compressor baffle on the back of the refrigerator, take out the water tray on the top of the compressor and empty the water.
- Securely tape down all loose items inside your refrigerator.
- Tape the doors shut.
- Be sure the refrigerator stays in the upright position during transportation.
- Ensure that the refrigerator is not damaged during transportation and installation.

Energy Saving Tips

- The refrigerator should be located in the coolest area of the room, away from heat producing appliances or heating ducts, and out of the direct sunlight.
- Let hot foods cool to room temperature before placing in the refrigerator. Overloading the refrigerator forces the compressor to run longer. Foods that freeze too slowly may lose quality, or spoil.
- Be sure to wrap foods properly, and wipe containers dry before placing them in the refrigerator. This cuts down on frost build-up inside the refrigerator.
- Organize and label food to reduce door openings and extended searches. Remove as many items as needed at one time, and close the door as soon as possible.

TROUBLESHOOTING GUIDE

You can solve many common refrigerator problems easily, saving you the cost of a possible service call. Try the suggestions below to see if you can solve the problem before calling for service.

| PROBLEM | POSSIBLE CAUSE |
|---|--|
| Refrigerator does not operate. | Not plugged in. The circuit breaker tripped or a blown fuse. |
| Compressor turns on and off frequently. | The room temperature is hotter than normal. A large amount of food has been added to the refrigerator. The door is opened too often. The door is not closed completely. The temperature control is not set correctly. The door gasket does not seal properly. The refrigerator does not have the correct clearances. The refrigerator has recently been disconnected for a period of time. 4 hours are required for the refrigerator to cool down completely. |
| Temperature inside the refrigerator is too warm. | Temperature control is set too warm. Turn the control to a cooler setting and allow several hours for the temperature to stabilize. Door is kept open too long or is opened too frequently. Warm air enters the refrigerator every time the door is opened. Open the door less often. The door is not closed completely. The door gasket does not seal properly. A large amount of warm or hot food might have been stored recently. Wait until the refrigerator has had a chance to reach its selected temperature. The refrigerator has recently been disconnected for a period of time. 4 hours are required for the refrigerator to cool down completely. |
| Temperature inside the refrigerator is too cold. | Temperature control is set too cold. Turn the control to a warmer setting and allow several hours for the temperature to stabilize. |
| Temperature of external refrigerator surface is warm. | The exterior refrigerator walls can be as much as 30°F warmer than room temperature. This is normal while the compressor works to transfer heat from inside the refrigerator cabinet. |
| Popping or cracking sound when compressor comes on. | Metal parts undergo expansion and contraction, as in hot water pipes. This is normal. Sound will level off or disappear as refrigerator continues to run. |
| Bubbling or gurgling sound, like water boiling. | Refrigerant (used to cool refrigerator) is circulating throughout the system. This is normal. |
| Vibrations. | Check to assure that the refrigerator is on a level surface. Floor is uneven or weak. Refrigerator rocks on the floor when it is moved slightly. Be sure floor can adequately support refrigerator. Level the refrigerator by putting wood or metal shims under part of the refrigerator. The refrigerator is touching the wall. Re-level the refrigerator and move it from the wall. See "Installation Instructions". |
| Moisture forms on inside refrigerator walls. | Weather is hot and humid, which increases internal rate of frost build-up. This is normal. Door is slightly open. Door is kept open too long, or is opened too frequently. Open the door less often. The door is not sealed properly. |
| Moisture forms on outside of refrigerator. | Door is slightly open, causing cold air from inside the refrigerator to meet warm moist air from outside. |
| The door will not close properly. | The refrigerator is not on a level surface. The gasket is dirty. The storage basket is out of position. |

TECHNICAL SPECIFICATIONS

| Model No. | KN-338WA | KN-458WA |
|---|--------------|--------------|
| Climate Type | ST | ST |
| Classification of Production Against Electric Shock | I | I |
| Total Storage Volume (L) | 298 | 413 |
| Frozen Food Storage Volume (L) | 78 | 91 |
| Rated Voltage (V) | 110~ | 110~ |
| Rated Frequency (Hz) | 60 | 60 |
| Rated Current (A) | 1.5 | 1.5 |
| Defrosting Power (W) | 180 | 180 |
| Energy Consumption (kW-h/24h) | 0.97 | 1.01 |
| Refrigerant | R600a | R600a |
| Refrigerant Weight (g) | 53 | 45 |
| Vesicant | Cyclopentane | Cyclopentane |
| Net Weight (kg) | 46 | 61 |
| Noise dB(A) | 40 | 40 |
| Overall Dimension (mm) W*D*H | 603*630*1598 | 708*668*1676 |

NOTE

* If there is parameter inconsistency, the nameplate on the rear of product shall govern.

* Other than special note, the parameter in this table is also applicable for following improved models.

* The energy consumption is measured under standard conditions.

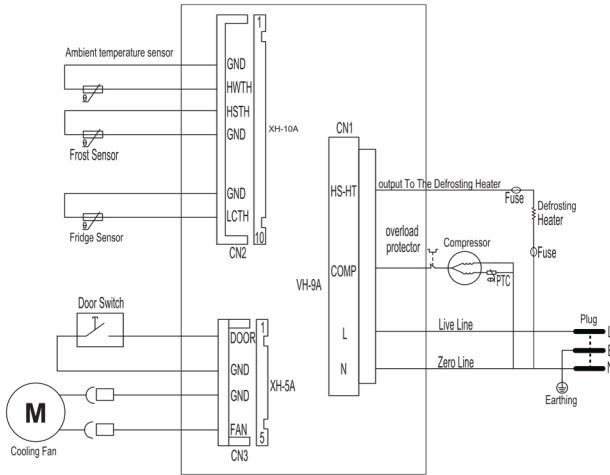
* The energy class is measured under national standard.

Loading List

| Model | KN-338WA | KN-458WA |
|-------------------|----------|----------|
| Vegetable crisper | 1 | 2 |
| shelf | 4 | 4 |
| Ice Tray | 1 | 1 |
| Egg Tray | 2 | 2 |
| Door rack | 5 | 6 |
| Instructions | 1 | 1 |

Note: If the product is equipped with ice maker, it has no ice tray.

Circuit Diagram



Correct Disposal of this product



When unit becomes useless, don't throw it in nature, it may contain harmful material for environment.

To prevent possible harm to the environment or human health from uncontrolled waste disposal, recycle it responsibly to promote the sustainable reuse of material resources. To return your used device, please use the return and collection systems or contact the retailer where the product was purchased. They can take this product for environmental safe recycling.

Please make sure to dispose of unit as per applicable legal system that respects the environment.

Note:

Method to change the lamp explained by pictures.

- This appliance is not intended for use by persons (including children) with reduced physical, sensory or mental capabilities, or lack of experience and knowledge, unless they have been given supervision or instruction concerning use of the appliance by a person responsible for their safety. Children should be supervised to ensure that they do not play with the appliance.
- Do not store explosive substances such as aerosol cans with a flammable propellant in this appliance.
- This appliance is intended to be used in household and similar applications such as
 - staff kitchen areas in shops, offices and other working environments;
 - farm houses and by clients in hotels, motels and other residential type environments;
 - bed and breakfast type environments;
 - catering and similar non-retail applications.

Warning: Do not use electrical appliances inside the food storage compartment of the appliance, unless they are of the type recommended by the manufacturer.

For appliances which use flammable insulation blowing gases, the instructions shall include information regarding disposal of the appliance.

When unit becomes useless, don't throw it in nature, it may contain harmful material for environment. Please make sure to dispose of unit as per applicable legal system that respects the environment.

Note: Method to change the lamp explained by pictures.

IF THIS APP. CONTAINS QUANTITY OF ENVIRONMENTALLY-FRIENDLY BUT FLAMMABLE R600A REFRIGERANT. ENSURE THAT THE REFRIGERANT IS NOT DAMAGED DURING TRANSPORTATION AND INSTALLATION.

- 1) WARNING-Keep ventilation openings, in the appliance enclosure or in the built-in structure, clear of obstruction .
- 2) WARNING-Do not use mechanical devices or other means to accelerate the defrosting process, other than those recommended by the manufacturer .
- 3) WARNING-Do not damage the refrigerant circuit.

For appliances which use flammable insulation blowing gases, the instructions shall include information regarding disposal of the appliance .

Choose a location which is not expose to sunlight, relatively free from dust, heat and humidity, and offers good ventilation .

When unit becomes useless, don't throw it in nature, it may contain harmful material for environment . Please make sure to dispose of unit as per applicable legal system that respects the environment

"Warning: please keep the lock keys on where the kids can not reach"

-The appliance is not to be used by children or persons with reduced physical, sensory or mental capabilities, or lack of experience and knowledge, unless they have been given supervision or instruction.

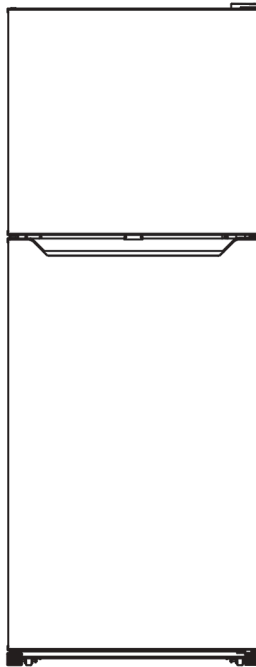
-Children being supervised not to play with the appliance

Replacement cord instructions , type Y attachment .If the supply cord is damaged , it must be replaced by the manufacturer , its service agent or similarly qualified persons in order to avoid a hazard..



**MANUAL DE INSTRUCCIONES
DEL REFRIGERADOR SIN
HIELO**

**Número de modelo:
KN-458WA**



Para garantizar el uso adecuado de este aparato y su seguridad, lea completamente las siguientes instrucciones antes de utilizar este aparato.

Este aparato está diseñado para ser utilizado en aplicaciones domésticas y similares, tales como:

- áreas de cocina para el personal en tiendas, oficinas y otros entornos de trabajo;
- casas de campo;
- por clientes en hoteles, moteles y otros entornos de tipo residencial;
- ambientes tipo dormitorios and restaurantes;
- áreas de uso común en bloques de viviendas o en lavanderías.

INSTRUCCIONES DE SEGURIDAD IMPORTANTES



Para reducir el riesgo de incendio, descarga eléctrica o lesiones al usar su refrigerador, siga estas precauciones básicas:

-ADVERTENCIA: Este electrodoméstico no está diseñado para que lo usen personas (incluidos los niños) con capacidades físicas, sensoriales o mentales reducidas, o falta de experiencia y conocimiento, a menos que hayan recibido supervisión o instrucciones sobre el uso del electrodoméstico por parte de una persona responsable de su seguridad

-ADVERTENCIA: Mantenga las aberturas de ventilación, en el recinto del aparato o en la estructura integrada, libres de obstrucciones.

-ADVERTENCIA: No utilice dispositivos mecánicos u otros medios para acelerar el proceso de descongelación, distintos a los recomendados por el fabricante.

-ATENCIÓN: No dañar el circuito frigorífico.

-ADVERTENCIA: No utilice aparatos eléctricos dentro de los compartimentos de almacenamiento de alimentos del aparato, a menos que sean del tipo recomendado por el fabricante.

♦ No almacene sustancias explosivas como latas de aerosol con un propulsor inflamable en este aparato.

Se utiliza el símbolo ISO 7010 W021, su significado se explica a continuación:



advertencia- riesgo de incendio/materiales inflamables

Las instrucciones para aparatos de refrigeración y máquinas para hacer hielo incluirán lo siguiente en sustancia:

-ADVERTENCIA: Al colocar el aparato, asegúrese de que el cable de alimentación no quede atrapado ni dañado.

-ADVERTENCIA: No ubique múltiples tomas de corriente portátiles o

fuentes de alimentación portátiles en la parte trasera del aparato.

◆**PELIGRO: Riesgo de atrapamiento de niños**

◆ Este aparato no debe ser utilizado por niños de 8 años o más o personas con capacidades físicas, sensoriales o mentales reducidas o falta de experiencia y conocimiento a menos que estén supervisados o instruidos sobre el uso del aparato de forma segura y comprendan los peligros. involucrado.

◆ Los niños deben ser supervisados para asegurarse de que no jueguen con el aparato.

◆ La limpieza y el mantenimiento del usuario no deben ser realizados por niños sin supervisión. Los niños de 3 a 8 años pueden cargar y descargar aparatos frigoríficos.

◆ Para evitar la posibilidad de que los niños queden atrapados; tome las siguientes precauciones antes de desechar el refrigerador.

-Retire todas las puertas de la unidad.

-Deje los estantes en su lugar para que los niños no puedan entrar fácilmente.

-Guarda estas instrucciones-



WARNING:

Esterefrigerador debe estar debidamente conectado a tierra para su seguridad. El cable de alimentación de este refrigerador está equipado con un enchufe de tres clavijas que es compatible con los tomacorrientes de pared estándar de tres clavijas para minimizar la posibilidad de descarga eléctrica. Este refrigerador requiere un tomacorriente estándar de 110V~/60Hz con un enchufe de tres clavijas con conexión a tierra. Bajo ninguna circunstancia, corte o retire la tercera clavija de conexión a tierra del cable de alimentación suministrado.

El uso inadecuado del enchufe con conexión a tierra puede resultar en riesgo de descarga eléctrica.

Este refrigerador no está diseñado para usarse con un inversor.

El cable debe estar asegurado detrás del refrigerador y no debe quedar expuesto o colgando, para evitar lesiones accidentales.

Nunca desenchufe el refrigerador tirando del cable de alimentación. Sujete siempre el enchufe con firmeza y sáquelo directamente del enchufe.

No utilice un cable de extensión con este aparato. Si el cable de alimentación es demasiado corto, solicite a un electricista calificado o a un técnico de servicio que instale un tomacorriente cerca del electrodoméstico. El uso de un cable de extensión puede afectar negativamente el rendimiento de la unidad

-ADVERTENCIA : Si el cable de alimentación está dañado, debe ser reemplazado por el fabricante, su agente de servicio o personas calificadas de manera similar para evitar un peligro.

■Nota especial para el usuario a continuación:

1. El refrigerador debe mantenerse en un lugar de ventilación, cortar la alimentación cuando suceda algo excepcional y comunicarse con la fábrica a tiempo.
2. Alrededor del refrigerador, especialmente en el área del compresor, no se permite la limpieza, en caso de fuga de refrigerante que provoque lesiones personales.
3. Nunca use ningún aerosol cerca del refrigerador. Puede causar peligro de explosión.
- 4.No utilice herramientas afiladas para limpiar el interior. El sistema de enfriamiento puede dañarse o puede haber una descarga eléctrica.
- 5.No coloque los alimentos demasiado cerca de las rejillas de ventilación, ya que esto puede obstruir la libre circulación de aire.

¡Atención!

1. Al almacenar alimentos, envuélvalos en una envoltura de plástico o guárdelos en un recipiente con tapa; esto evita los olores y lo mantiene seco. Abrir la puerta durante mucho tiempo puede provocar un aumento significativo de la temperatura en los compartimentos del aparato.
- 2.Debe haber suficiente espacio entre cada alimento; no almacene demasiada comida.
- 3.Para ahorrar electricidad, no abra demasiado la puerta frecuentemente.
Limpie regularmente las superficies que puedan entrar en contacto con los alimentos y los sistemas de drenaje accesibles.
- 4.Guarde la carne y el pescado crudos en recipientes adecuados en el frigorífico, de forma que no entren en contacto ni gotee sobre otras comida.
- 5.Si el aparato de refrigeración se deja vacío durante mucho tiempo, apáguelo, descongélelo, límpielo, séquelo y deje la puerta abierta para evitar que se forme moho en el interior del aparato.

INSTRUCCIONES DE INSTALACIÓN

Antes de usar su refrigerador

•Retire el embalaje externo e interno.

•Antes de conectar el refrigerador a la fuente de energía, déjelo en posición vertical durante aproximadamente 4 horas. Esto reducirá la posibilidad de un mal funcionamiento en el sistema de enfriamiento debido a un manejo inadecuado durante el transporte.

•Limpie la superficie interior con agua tibia usando un paño suave de tela.

Instalación de su refrigerador

•Este electrodoméstico está diseñado para colocarse solo y no debe empotrarse.

Coloque su refrigerador sobre un piso que sea lo suficientemente fuerte para sostener el refrigerador cuando esté completamente cargado. Deje 5 pulgadas de espacio entre la parte posterior y los lados del refrigerador, lo que permite la ventilación de aire adecuada. Ajuste las patas para mantener el nivel del refrigerador. Gire en el sentido de las agujas del reloj para subir la unidad, gire en el sentido contrario a las agujas del reloj para bajar la unidad. Deje que las patas ajustables derechas toquen el suelo firmemente, mientras que la izquierda se apoyan suavemente.

Ubique el refrigerador lejos de la luz solar directa y fuentes de calor (estufa, calentador, radiador, etc.). La luz solar directa puede afectar el revestimiento acrílico y las fuentes de calor pueden aumentar el consumo eléctrico. La temperatura ambiente inferior a 50 °F o superior a 85 °F dificultará el rendimiento de este aparato.

Esta unidad no está diseñada para uso en un garaje o cualquier otra instalación exterior.

Evite ubicar el refrigerador en áreas húmedas.

Enchufe el refrigerador en un tomacorriente de pared dedicado, debidamente instalado y conectado a tierra. Bajo ninguna circunstancia corte o retire la tercera clavija (tierra) del cable de alimentación. Cualquier pregunta relacionada con la alimentación y/o la conexión a tierra debe dirigirse a un electricista certificado o a un centro de servicio autorizado.

Esta unidad no está diseñada para instalarse en un RV ni usarse con un inversor. Después de enchufar el electrodoméstico en un tomacorriente de pared, encienda la unidad y deje que se enfríe durante 2 a 3 horas antes de colocar alimentos en el compartimiento del refrigerador o congelador.

Precauciones

♦Se debe conectar a tierra un enchufe de tres clavijas con un fusible de 5A.

No puesta a tierra a través de tuberías, cables telefónicos o tuberías de gas.

El uso de un voltaje inadecuado puede provocar daños en el aparato y posibles lesiones al usuario. El voltaje correcto se indica en la etiqueta de clasificación, más allá del cual se debe instalar un manostato de 300 W o más según las situaciones.

No aplicación de enchufes o tomacorrientes descalificados.

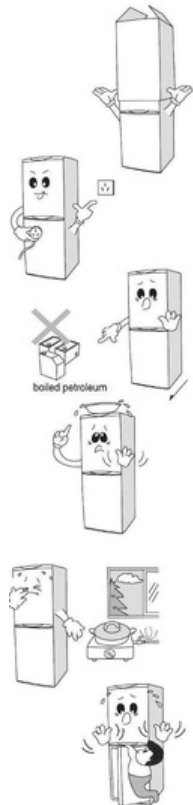
Para evitar daños en la parte vital, espere al menos 5 minutos antes de volver a enchufar después de un corte de energía.

♦ No se permiten objetos tóxicos, inflamables, explosivos y cáusticos (gas propano para encendedores, pegamento, petróleo, alcohol, toluol, etc.).

♦ Mantenga el cuerpo del refrigerador alejado del agua y no coloque recipientes con agua en la tapa superior para evitar descargas eléctricas o fuego.

♦ Cierre la válvula inmediatamente y abra las ventanas para ventilación en caso de escape de gas.

El enchufe del refrigerador no debe tocarse para evitar una explosión.



◆ Para evitar que el refrigerador se incline hacia abajo u otros accidentes, no tire de la puerta del refrigerador con violencia ni permita que los niños se cuelguen de la puerta o jueguen adentro.

◆Corte de energía

Abra la puerta lo menos posible.

No ponga más comida en el refrigerador.

◆Cuando detenga las aplicaciones durante bastante tiempo.

Los refrigeradores deben usarse consecutivamente. Para no afectar la vida útil, el refrigerador debe mantenerse en funcionamiento incluso si no hay alimentos en conserva.

Desenchufe el refrigerador cuando no funcione durante mucho tiempo, para evitar descargas eléctricas o incendios causados por el envejecimiento del aislamiento.

Seque el interior con paño de tela. Deseche el refrigerador en un lugar ventilado después del secado al aire.

◆ Aleje el enchufe del tomacorriente si no lo usa durante mucho tiempo.

◆ No coloque botellas en el congelador, para evitar que se partan por estar congeladas.

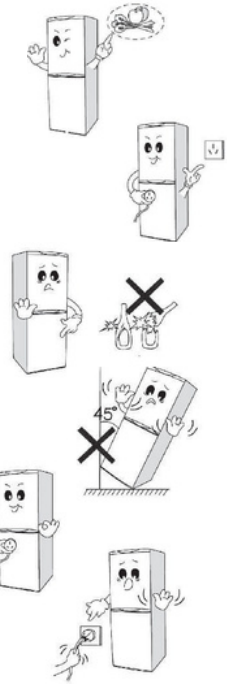
◆ Tenga cuidado al mover el refrigerador.

Consulte las instrucciones relacionadas en el libro.

◆ Sujete el enchufe en lugar del cable cuando retire el enchufe.

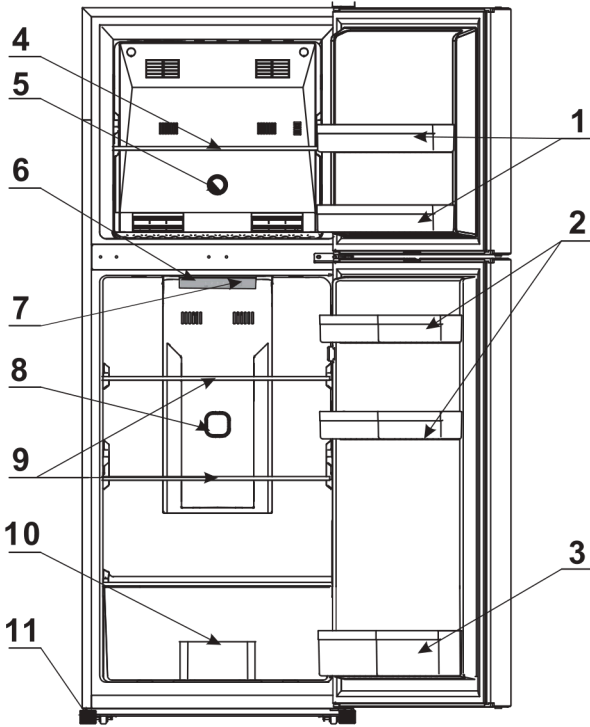
◆ No encienda ni enchufe el refrigerador con las manos mojadas.

y ADVERTENCIA /: Nunca toque el interior de la cámara del congelador ni los alimentos congelados en el compartimiento con las manos mojadas, ya que esto podría resultar en congelación.



INSTRUCCIONES DE INSTALACIÓN

KN-338WA



1. CUBO CONGELADOR

3. ESTANTE DE BOTELLAS

5. PERILLA DE CONTROL DE TEMPERATURA DEL CONGELADOR

8. UNIDAD DE PURIFICACIÓN DE AIRE

9. ESTANTE DEL REFRIGERADOR

11. PATA DE NIVELACIÓN

2. CONTENEDOR DEL REFRIGERADOR

4. ESTANTE DEL CONGELADOR

6. CUBIERTA DE LA LÁMPARA

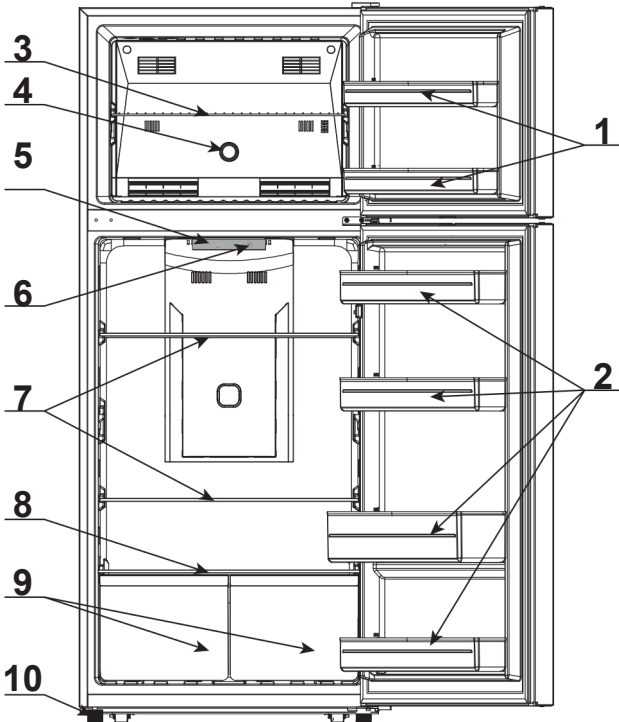
10. CAJONERA PARA VERDURAS

Precaución:

Los accesorios varían de un tipo a otro. Consulte la lista de embalaje para obtener más detalles.

INSTRUCCIONES DE INSTALACIÓN

KN-458WA



- | | |
|-----------------------------|---|
| 1. CUBO CONGELADOR | 2. CONTENEDOR DEL REFRIGERADOR |
| 3. ESTANTE DEL CONGELADOR | 4. PERILLA DE CONTROL DE TEMPERATURA DEL CONGELADOR |
| 5. CUBIERTA DE LA LÁMPARA | 6. PERILLA DE CONTROL DE TEMPERATURA DEL REFRIGERADOR |
| 7. ESTANTE DEL REFRIGERADOR | 8. CUBIERTA DEL CAJÓN |
| 9. CAJONERA PARA VERDURAS | 10. PATA DE NIVELACIÓN |

Precaución:

Los accesorios varían de un tipo a otro. Consulte la lista de embalaje para obtener más detalles.

Solicitud

■Refrigerador

La temperatura en el refrigerador es de unos 0°C-10°C, que es aplicable para conservar alimentos, como verduras y frutas, por un corto período.

Optimiza la conservación y aprovecha al máximo el espacio clasificando los alimentos.

Muestra de clasificación:

■Congelador

La temperatura es inferior a -18°C en el congelador, lo que es aplicable para conservar alimentos que deben conservarse durante un período prolongado, como carne y pescado. Los artículos de vidrio que contengan líquido no se pueden guardar en el congelador.

Limite los alimentos reservados en el rango de la capacidad de congelación.

Precaución.

Mantenga las siguientes cosas fuera del congelador: bebidas carbonatadas y paquetes fríos instantáneos en el mercado (como nitrato de amonio y carbamida).

■fabricación de hielo

Deje caer agua o bebida hervida fría en la bandeja de hielo limpia hasta que alcance el 80 por ciento de la bandeja. Luego coloque la bandeja en el congelador.

Doble un poco la bandeja (como A), evite estropear la bandeja de hielo con demasiada fuerza (como B). Si el producto está equipado con una fábrica de hielo, se opera de acuerdo con el patrón dela panel.

OPERACIÓN DE SU REFRIGERADOR

Control de temperatura

COMPARTIMENTO REFRIGERADOR



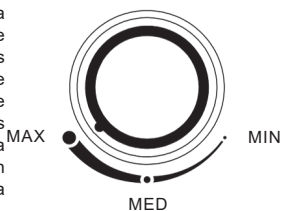
• El botón de control de la temperatura del almacenamiento en frío se encuentra en la parte superior de la cámara frigorífica, pulse la tecla "SET", puede ajustar la temperatura del almacenamiento en frío; (El botón de control de la temperatura del refrigerador se encuentra en la parte superior del compartimento refrigerado. Pulse la tecla "SET" para establecer la temperatura del refrigerador;) • La primera vez que encienda el aparato, ajuste el botón de control de la temperatura a "5" y déjelo funcionar durante al menos 2 horas antes de meter los alimentos en su interior. Esto garantizará que el gabinete se enfríe completamente antes de introducir los alimentos. • El rango del control de temperatura del REFRIGERADOR va desde la posición "1", la más cálida, hasta la "5", la más fría. Ajuste el control de temperatura a la configuración que mejor se adapte a sus necesidades. La posición "3" debería ser la adecuada para usar el refrigerador en casa o en la oficina.

•NOTA;

- Si la unidad está desenergizada, pierde energía; debe esperar de 3 a 5 minutos antes de reiniciar la unidad. Si intenta reiniciar antes de este retraso de tiempo, el refrigerador no se iniciará.
- Grandes cantidades de alimentos reducirán la eficiencia de enfriamiento del aparato.
- No coloque los alimentos en la salida de aire y deje espacios para el flujo de aire.
- Si elige cambiar la configuración del termostato, ajuste el control del termostato en un incremento a la vez. Espere varias horas para que la temperatura se estabilice entre los ajustes.
- El ajuste del control de temperatura en el compartimento del refrigerador afectará la temperatura tanto en el compartimento del refrigerador como en el del congelador.

COMPARTIMIENTO CONGELADOR

•Su refrigerador tiene un control para regular la temperatura. El control de temperatura está ubicado en el medio de la cámara de congelación. •La primera vez que encienda la unidad, ajuste la perilla de control de temperatura a "MAX" y déjela funcionar durante al menos 2 horas antes de colocar alimentos dentro. Esto asegurará que el gabinete se enfrie completamente antes de colocar la comida. •El rango del control de temperatura del CONGELADOR es desde la posición "MIN" la más caliente hasta "MAX" la más fría. Ajuste el control de temperatura a la configuración que mejor se adapte a sus necesidades. La configuración de "MED" debe ser adecuada para el uso de refrigerador del hogar o de la oficina.



El compartimiento del congelador

- Este compartimento está diseñado para el almacenamiento a largo plazo de alimentos congelados. El período de tiempo de almacenamiento es de hasta tres meses.
- La vida de almacenamiento de los alimentos congelados varía y el tiempo de almacenamiento recomendado no debe ser excedido.
- Coloque los alimentos congelados en el congelador lo más rápido posible después de la compra. Si hay instrucciones en el paquete, siga cuidadosamente estas instrucciones con respecto a los tiempos de almacenamiento.

Cambiar el tablero de luces

La lámpara LED no puede ser reemplazado por el usuario, si la lámpara LED está dañada, comuníquese con el servicio técnico más cercano para reemplazarla.

CUIDADO Y MANTENIMIENTO

Limpeza de su refrigerador

- Al instalar su nuevo electrodoméstico, se recomienda limpiarlo minuciosamente.
- Primero apague el refrigerador y luego desconecte la unidad del tomacorriente de pared.
- Retire todo el contenido de alimentos.
- Lave el interior con un paño húmedo y tibio empapado en agua tibia y una solución de bicarbonato de sodio. La solución debe ser de aproximadamente 2 cucharadas de bicarbonato de sodio por un litro de agua.
- Asegúrese de mantener limpia la junta de la puerta (sello) para que la unidad funcione de manera eficiente.
- El exterior del refrigerador debe limpiarse con detergente suave y agua tibia.
- Seque el interior y el exterior con un paño suave de tela.
- Los serpentines del condensador deben aspirarse cuando tengan polvo o suciedad.
- Para mantener el interior higiénico sin olor ni suciedad, se requiere una limpieza regular de al menos una vez al mes.
- Primero apague el refrigerador y luego desconecte la unidad del tomacorriente de pared.
- Retire toda la comida.
- Limpiar el refrigerador.
- Deje la tapa ligeramente abierta para evitar la posible formación de condensación, moho u olores.
- Extremar la precaución en el caso de niños. La unidad no debe ser accesible para el juego de los niños.

- Vacaciones cortas: Deje el refrigerador funcionando durante las vacaciones de menos de tres semanas.
- Vacaciones prolongadas: si el aparato no se utilizará durante varios meses, retire todos los alimentos y desconecte el cable de alimentación. Limpie y seque bien el interior. Para evitar el crecimiento de olores y moho, deje la puerta ligeramente abierta: bloqueándola si es necesario o retire la puerta.

Moviendo su refrigerador

Primero apague el refrigerador y luego desconecte la unidad del tomacorriente de pared.

- Saque la comida del refrigerador y vacíe el hielo de la cubitera.
- Retire el deflector del compresor en la parte posterior del refrigerador, saque la bandeja de agua en la parte superior del compresor y vacíe el agua.
- Asegure con cinta adhesiva todos los artículos sueltos dentro de su refrigerador.
- Cierra las puertas con cinta adhesiva.
- Asegúrese de que el refrigerador permanezca en posición vertical durante el transporte.
- Asegúrese de que el refrigerante no se dañe durante el transporte y la instalación.

Consejos para ahorrar energía

- El refrigerador debe ubicarse en el área más fresca de la habitación, lejos de electrodomésticos que produzcan calor o conductos de calefacción, y fuera de la luz solar directa.
- Deje que los alimentos calientes se enfríen a temperatura ambiente antes de colocarlos en el refrigerador. Sobrecargar el refrigerador obliga al compresor a funcionar por más tiempo. Los alimentos que se congelan muy lentamente pueden perder calidad o echarse a perder.
- Asegúrese de envolver los alimentos correctamente y seque los recipientes antes de colocarlos en el refrigerador. Esto reduce la acumulación de escarcha dentro del refrigerador.
- Organice y etiquete los alimentos para reducir las aperturas de puertas y las búsquedas prolongadas. Saque tantos elementos como sea necesario a la vez y cierre la puerta lo antes posible.

GUÍA PARA RESOLVER PROBLEMAS

Puede resolver fácilmente muchos problemas comunes del refrigerador, ahorrándole el costo de una posible llamada de servicio. Pruebe las sugerencias a continuación para ver si puede resolver el problema antes de llamar al servicio técnico.

| PROBLEMA | CAUSA POSIBLE |
|--|--|
| El refrigerador no funciona. | No enchufado. El disyuntor se disparó o se quemó un fusible. |
| El compresor se enciende y apaga con frecuencia. | La temperatura ambiente es más alta de lo normal. Se ha agregado una gran cantidad de comida al refrigerador. La puerta se abre con demasiada frecuencia. La puerta no está completamente cerrada. El control de temperatura no está configurado correctamente. La junta de la puerta no sella correctamente. El refrigerador no tiene las holguras correctas. El refrigerador se ha desconectado recientemente por un periodo de tiempo. Se requieren 4 horas para que el refrigerador se enfríe por completo. |
| La temperatura dentro del refrigerador es demasiado caliente. | El control de temperatura está demasiado caliente. Gire el control a un ajuste más frío y espere varias horas para que la temperatura se establezca. La puerta se mantiene abierta demasiado tiempo o se abre con demasiada frecuencia. El aire caliente ingresa al refrigerador cada vez que se abre la puerta. Abra la puerta con menos frecuencia. La puerta no está completamente cerrada. La junta de la puerta no sella correctamente. Es posible que se haya almacenado recientemente una gran cantidad de alimentos tibios o calientes. Espere hasta que el refrigerador haya tenido la oportunidad de alcanzar la temperatura seleccionada. El refrigerador se ha desconectado recientemente por un periodo de tiempo. Se requieren 4 horas para que el refrigerador se enfríe por completo. |
| La temperatura dentro del refrigerador es demasiado fría. | El control de temperatura está demasiado frío. Gire el control a un ajuste más cálido y espere varias horas para que la temperatura se establezca. |
| Temperatura de la superficie externa del refrigerador está caliente. | Las paredes exteriores del refrigerador pueden estar hasta 30°F más calientes que la temperatura de la habitación. Esto es normal mientras el compresor trabaja para transferir calor desde el interior del gabinete del refrigerador. |
| Sonido de estallido o crujido cuando se enciende el compresor. | Las piezas metálicas sufren dilataciones y contracciones, como en las tuberías de agua caliente, esto es normal. El sonido se estabilizará o desaparecerá a medida que el refrigerador continúe funcionando. |
| Sonido de burbujeo o gorgoteo, como agua hirviendo. | El refrigerante (usado para enfriar el refrigerador) está circulando por todo el sistema. Esto es normal. |
| vibraciones. | Verifique que el refrigerador esté sobre una superficie nivelada. El piso es irregular o débil. El refrigerador se balancea en el suelo cuando se mueve ligeramente. Asegúrese de que el piso pueda soportar adecuadamente el refrigerador. Nivele el refrigerador colocando cuñas de madera o metal debajo de una parte del refrigerador. El refrigerador está tocando la pared. Vuelva a nivelar el refrigerador y muévelo de la pared. Ver "Instrucciones de instalación". |
| Se forma humedad en las paredes interiores del refrigerador. | El clima es cálido y húmedo, lo que aumenta la tasa interna de acumulación de escarcha. Esto es normal. La puerta está ligeramente abierta. La puerta se mantiene abierta demasiado tiempo o se abre con demasiada frecuencia. Abra la puerta con menos frecuencia. La puerta no está sellada correctamente. |
| Se forma humedad en el exterior del refrigerador. | La puerta está ligeramente abierta, lo que hace que el aire frío del interior del refrigerador se encuentre con el aire cálido y húmedo del exterior. |
| La puerta no cierra correctamente. | El refrigerador no está sobre una superficie nivelada. La junta está sucia. La cesta de almacenamiento está fuera de posición. |

ESPECIFICACIONES TÉCNICAS

| N ° de Modelo. | KN-338WA | KN-458WA |
|---|--------------|--------------|
| Tipo de clima | ST | ST |
| Clasificación de Producción Contra Descarga eléctrica | I | I |
| Volumen total de almacenamiento (L) | 298 | 413 |
| Volumen de almacenamiento de alimentos congelados (L) | 78 | 91 |
| Tensión nominal (V) | 110~ | 110~ |
| Frecuencia nominal (Hz) | 60 | 60 |
| Corriente nominal (A) | 1.5 | 1.5 |
| Potencia de descongelación (W) | 180 | 180 |
| Consumo de energía (kW·h/24h) | 0.97 | 1.01 |
| Refrigerante | R600a | R600a |
| Peso del refrigerante (g) | 53 | 45 |
| Gas secicante | | |
| Peso neto(kg) | ciclopentano | ciclopentano |
| Ruido.dB(A) | 46 | 61 |
| Dimensión total (mm) W*D*H | 40 | 40 |
| | 603*630*1598 | 708*668*1676 |

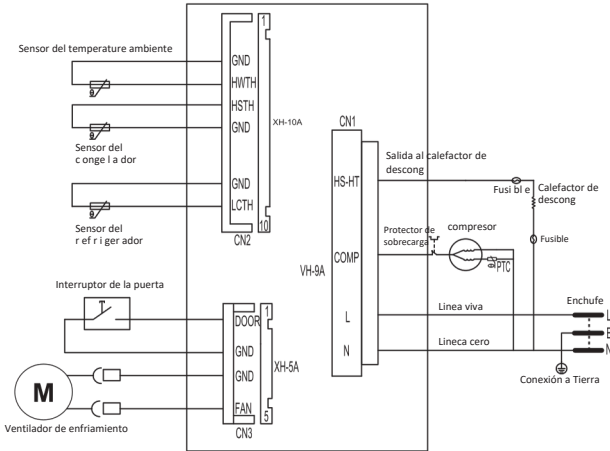
NOTA * Si hay inconsistencia de parámetros, prevalecerá la placa de identificación en la parte posterior del producto. * Aparte de la nota especial, el parámetro de esta tabla también se aplica a los siguientes modelos mejorados. * El consumo de energía se mide en condiciones estándar. * La clase energética se mide según la norma nacional.

La lista de carga

| Modelo | KN-338WA | KN-458WA |
|-------------------------|----------|----------|
| Gaveta para verduras | 1 | 2 |
| estante | 4 | 4 |
| Bandeja de hielo | 1 | 1 |
| Bandeja de ecualización | 2 | 2 |
| estante de la puerta | 5 | 6 |
| Instrucciones | 1 | 1 |

Nota: Si el producto está equipado con máquina de hielo, no tiene bandeja de hielo.

Diagrama de circuito



Eliminación correcta de este producto



Cuando la unidad se vuelva inútil, no la arroje a la naturaleza, puede contener material nocivo para el medio ambiente.

Para evitar posibles daños al medio ambiente o a la salud humana por la eliminación descontrolada de desechos, reciclelos de manera responsable para promover la reutilización sostenible de los recursos materiales. Para devolver su dispositivo usado, utilice los sistemas de devolución y recolección o comuníquese con el minorista donde compró el producto. Pueden llevar este producto a un reciclaje seguro para el medio ambiente. Asegúrese de desechar la unidad según el sistema legal aplicable que respete el medio ambiente.

Nota:

Método para cambiar la lámpara explicado por imágenes.

- Este electrodoméstico no está diseñado para que lo usen personas (incluidos los niños) con capacidades físicas, sensoriales o mentales reducidas, o falta de experiencia y conocimiento, a menos que una persona responsable de su seguridad les haya supervisado o instruido sobre el uso del electrodoméstico. . Los niños deben ser supervisados para asegurarse de que no jueguen con el aparato.
- No almacene sustancias explosivas como latas de aerosol con un propulsor inflamable en este aparato.
- Este aparato está diseñado para ser utilizado en aplicaciones domésticas y similares como
 - áreas de cocina para el personal en tiendas, oficinas y otros entornos de trabajo;
 - casas de campo y por clientes en hoteles, moteles y otros entornos de tipo residencial;
 - ambientes tipo dormitorio y restaurantes.
 - catering y aplicaciones no minoristas similares.

Advertencia: No utilice aparatos eléctricos dentro del compartimento de almacenamiento de alimentos del aparato, a menos que sean del tipo recomendado por el fabricante.

En el caso de aparatos que utilicen gases de soplado de aislamiento inflamables, las instrucciones deben incluir información sobre cómo desechar el aparato.

Cuando la unidad se vuelva inútil, no la arroje a la naturaleza, puede contener material nocivo para el medio ambiente. Asegúrese de desechar la unidad según el sistema legal aplicable que respete el medio ambiente.

Nota: Método para cambiar la lámpara explicado por imágenes.

SI ESTA APLICACIÓN. CONTIENE UNA CANTIDAD DE REFRIGERANTE R600A ECOLÓGICO PERO INFLAMABLE. ASEGÚRESE DE QUE EL REFRIGERANTE NO SE DAÑE DURANTE EL TRANSPORTE Y LA INSTALACIÓN.

1)ADVERTENCIA: mantenga las aberturas de ventilación, en el recinto del aparato o en la estructura empotrada, libres de obstrucciones.

2) ATENCIÓN- No utilice dispositivos mecánicos u otros medios para acelerar el proceso de descongelación, distintos a los recomendados por el fabricante.

3) ATENCIÓN-No dañar el circuito frigorífico.

En el caso de aparatos que utilicen gases de soplado de aislamiento inflamables, las instrucciones deben incluir información sobre cómo desechar el aparato.

Elija un lugar que no esté expuesto a la luz solar, relativamente libre de polvo, calor y humedad, y que ofrezca buena ventilación.

Cuando la unidad se vuelva inútil, no la arroje a la naturaleza, puede contener material nocivo para el medio ambiente. Asegúrese de desechar la unidad según el sistema legal aplicable que respete el medio ambiente

"Advertencia: mantenga las llaves de bloqueo en un lugar donde los niños no puedan alcanzar"

- El aparato no debe ser utilizado por niños o personas con capacidades físicas, sensoriales o mentales reducidas, o falta de experiencia y conocimiento, a menos que hayan recibido supervisión o instrucción.

-Niños supervisados para que no jueguen con el aparato.

Instrucciones de reemplazo del cable, conexión tipo Y. Si el cable de alimentación está dañado, debe ser reemplazado por el fabricante, su agente de servicio o personas calificadas de manera similar para evitar un peligro.