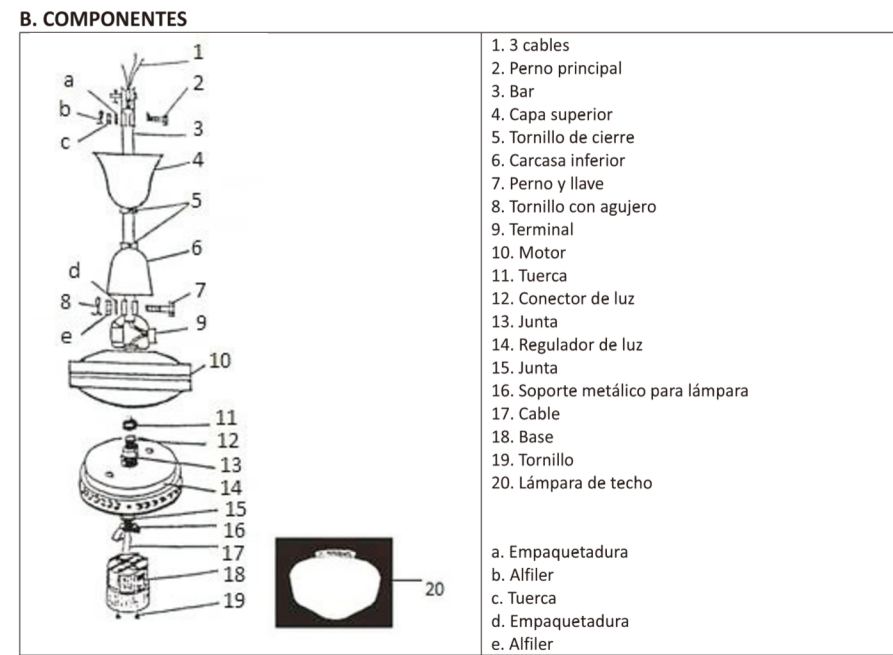




CEILING FAN INSTALLATION INSTRUCTIONS
VENTILADOR DE TECHO (INSTRUCCIONES)

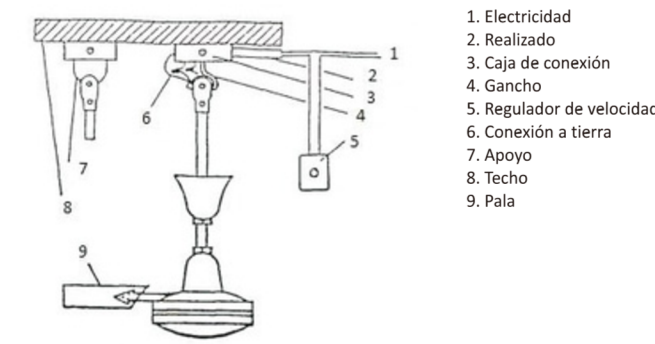
MODEL No. **KN-56A**



C. INSTRUCCIONES DE MONTAJE

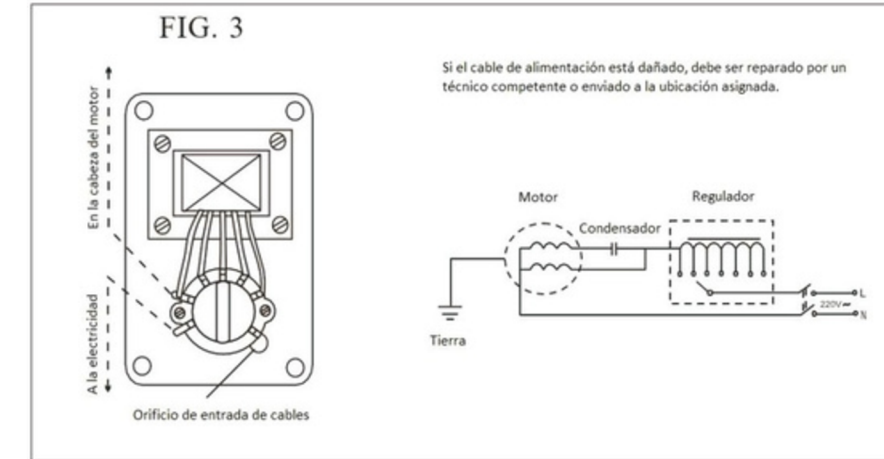
- Desembale el ventilador y verifique que todos los componentes y piezas estén completos y en buenas condiciones.
- Verifique los datos de la placa de identificación en el cabezal del motor (10) para verificar que el voltaje y la frecuencia sean adecuados para el uso local.
- Conecte el cable (17) del motor a la barra (3).
- Inserte el extremo inferior de la varilla en el terminal (9), alinee el orificio para colocar el tornillo correspondiente, coloque la arandela y la tuerca, luego apriete para evitar vibraciones.
- Inserte la tapa superior (4) en la barra (3).
- Inserte la tapa inferior (6) en la barra (3).
- Instale firmemente el tornillo en el extremo superior de la barra.
- Pase los cables eléctricos (1) a través de la barra (3) y conéctelos al bloque de terminales de cables.
***IMPORTANTE: ASEGÚRESE DE QUE EL CABLE DE TIERRA DEL VENTILADOR ESTÉ CORRECTAMENTE CONECTADO CON EL CABLE DE TIERRA DEL SISTEMA**
- Inserte la barra (3) en el gancho y fíjela con el perno (2) y el pasador deslizante (a). Asegúrese de apretar la tuerca (c).
- Asegure firmemente las cuchillas al cabezal del motor (10) con tornillos y arandelas (8).
- Cuelgue el ventilador en el gancho del gancho (FIG.1)
- Fijar la tapa superior (4) en el extremo superior de la barra (3) con los tornillos de fijación (5).

Importante: consulte los requisitos de seguridad al principio de este folleto



D. INSTALACIÓN DEL REGULADOR DE VELOCIDAD

- Quite la tapa del regulador.
- Conecte los cables a través del orificio de entrada según el diagrama de la FIG.3.
- Monte el controlador en una pared o base hecha de material inerte



E. INSTALACIÓN DEL GANCHO (NO INCLUIDO)

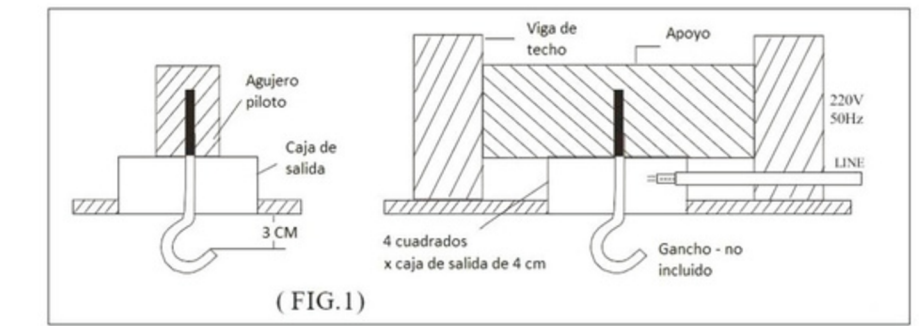
Compruebe que la pared donde desea instalar el ventilador cumple con los requisitos de seguridad y si la distancia a una toma de corriente permite la conexión eléctrica.

ATENCIÓN:

- A. Asegúrese de que el gancho pueda soportar una carga de no menos de 25 kg.**
- B. No utilice cajas de conexiones no metálicas.**
- C. No use lubricante en el tornillo de montaje único.**

- Taladre un orificio piloto en el techo para facilitar la instalación del gancho. Asegúrese de que el orificio piloto no sea más grande que el diámetro menor de las roscas de los tornillos de montaje.
- Instale la percha en el orificio guía del techo con al menos 4 cm de roscas de tornillo de montaje que se sujetan a una viga de madera estructural para proporcionar un montaje seguro. Deje un espacio de 3 cm entre la punta del gancho y el techo, como se muestra en la FIG. 1.
- Instale la caja de conexiones en el techo.

ATENCIÓN:
No instale las cuchillas a menos de 2,3 m del suelo

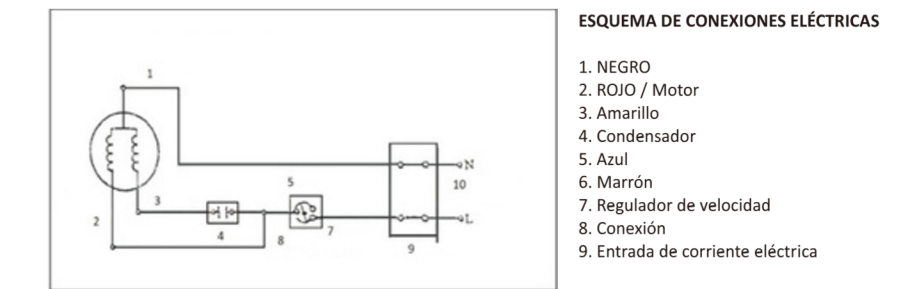


F. CONSEJOS ÚTILES

A. SI EL VENTILADOR NO SE ENCIENDE:
Compruebe la presencia de tensión de red en el sistema activando un dispositivo diferente. Póngase en contacto con personal técnico cualificado si la comprobación anterior no es concluyente.

B. SI EL VENTILADOR SE MUEVE 2 CENTÍMETROS O MÁS
Las palas y soportes son asimétricos o curvados debido al transporte:
- ajustar las palas y los soportes.
- Deje el ventilador funcionando durante una hora. Si el desplazamiento no se corrige, intercambie 2 cuchillas vecinas

C. SI EL MOTOR ESTÁ BLOQUEADO
Proceda inmediatamente a desactivar el seccionador correspondiente en el cuadro eléctrico y contacte con personal técnico cualificado.

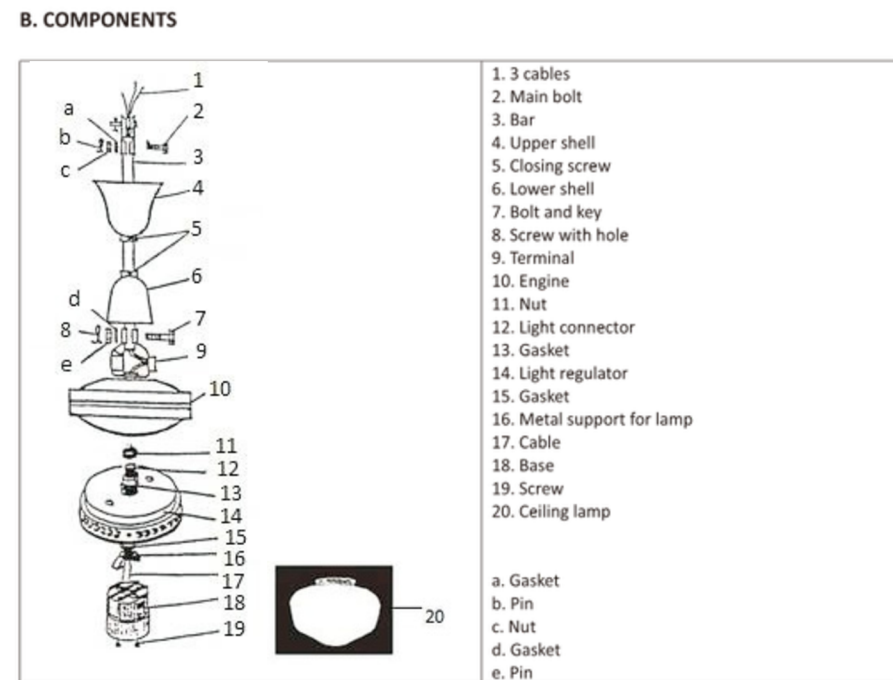


INSTRUCTIONS
READ ALL INSTRUCTIONS BEFORE USING

A. IMPORTANT SAFEGUARDS

When using electrical appliances, basic safety precautions should always be followed, including the following:

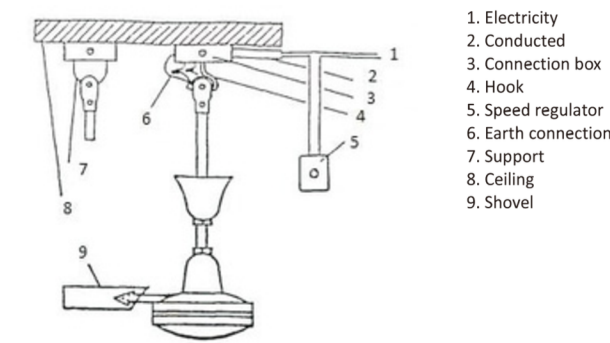
- Make sure that the rated voltage indicated on the technical data plate on the appliance corresponds to the mains voltage
- The appliance must be installed by qualified personnel with the necessary skills and respecting the criteria of the rule of art
- No responsibility can be ascribed to the manufacturer for damage or injury resulting from bad installation
- The appliance is intended for domestic or similar use only, for example in shops, offices, small and medium-sized temporary living areas
- The appliance is not intended for operation in industrial environments, large commercial areas, large public areas or communities, cellars, garages, attics, pergolas, porches or other locations that may make it exposed to atmospheric agents
- The appliance must not be installed in a position such that, once operational, the lower edge is less than 2.30 meters from the floor
- The appliance must not be installed near windows or openings that could expose it to the elements, nor near curtains, ornamental plants or other bodies that could collide with the blades
- Do not place any object in the blade rotation area during operation: this conduct constitutes a serious risk of injury; for the same reasons, avoid stopping the rotation of the blades during operation in any way; carefully and constantly check that such circumstances cannot occur fortuitously
- Upon deactivation, the blades rotate further by inertia for some time: wait for the blades to stop completely before proceeding with any operation on the device
- Before proceeding with cleaning operations, make sure that the appliance has been switched off for at least 15 minutes and that the relevant mains disconnect switch on the electrical panel is disconnected
- To clean the device, use a damp cloth and avoid any abrasive or aggressive detergent; wait for it to dry completely before putting it back into operation
- Do not install or use the appliance under direct solar radiation or within the radius of action of heating appliances, in excessively hot or cold, humid environments, saturated with gas, vapors or other suspended substances, near open flames, substances flammable, oxidizing or explosive
- Make sure to connect the appliance to a compliant system with grounding, differential switch and magnetothermic switch
- Do not connect the device to devices that could cause it to start unsupervised, such as timers, remote controls or automatisms



C. ASSEMBLY INSTRUCTIONS

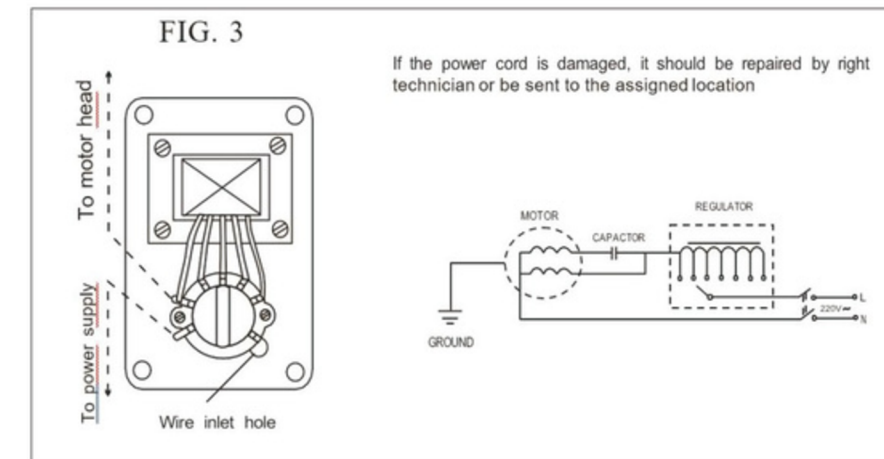
- Unpack the fan and verify that all components and parts are complete and in good condition.
- Check the nameplate data on the motor head (10) to verify that the voltage and frequency are suitable for local use.
- Connect the cable (17) from the motor to the bar (3).
- Insert the lower end of the rod into the terminal (9), align the hole to place the corresponding screw, place the washer and nut, then tighten to avoid vibration.
- Insert the top cap (4) into the bar (3).
- Insert the lower cap (6) into the bar (3).
- Securely install the screw on the top end of the bar.
- Pass the electrical cables (1) through the bar (3) and connect them to the cable terminal block.
*** IMPORTANT: MAKE SURE THAT THE GROUND CABLE OF THE FAN IS CORRECTLY CONNECTED WITH THE EARTHING WIRE OF THE SYSTEM**
- Insert the bar (3) into the hook and secure it with the bolt (2) and sliding pin (a). Make sure you tighten the nut (c).
- Firmly secure the blades to the motor head (10) using screws and washers (8).
- Hang the fan on the hook of the hook (FIG.1)
- Fix the upper cap (4) on the upper end of the bar (3) using the fixing screws (5).

Important: Refer to the safety requirements at the beginning of this booklet



D. INSTALLING THE SPEED REGULATOR

- Remove the regulator cover.
- Connect the cables through the entry hole according to the diagram in FIG.3.
- Mount the controller on a wall or base made of inert material.



E. HOOK INSTALLATION (NOT INCLUDED)

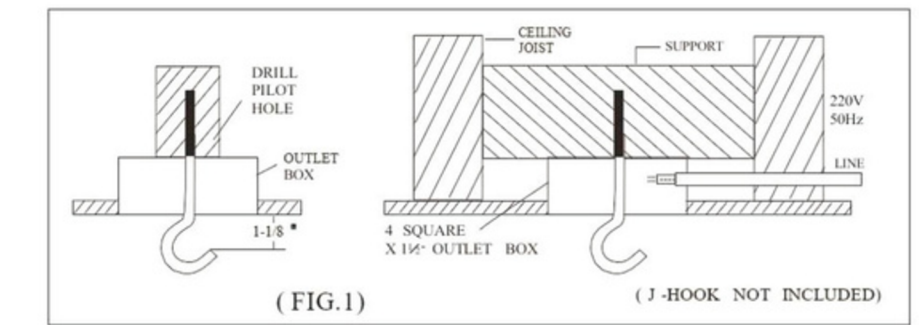
Check that the wall where you want to install the fan satisfies the safety requirements and if the distance from a power socket allows the electrical connection.

ATTENTION:

- A. Make sure the hook can support a load of no less than 25kg.**
- B. Do not use non-metallic junction boxes.**
- C. Do not use lubricant on the single mounting screw**

- Drill a pilot hole in the ceiling to facilitate hook installation. Make sure the pilot hole is no larger than the minor diameter of the mounting screw threads.
- Install the hanger in the ceiling pilot hole with at least 4 cm of the mounting screw threads that fasten into a structural timber joist to provide secure mounting. Leave a 3cm gap between the hook tip and the ceiling as shown in FIG. 1.
- Install the junction box on the ceiling.

ATTENTION:
Do not install the blades closer than 2.3m from the floor.



F. HELPFUL TIPS

A. IF THE FAN DOES NOT START:
Check for the presence of mains voltage on the system by activating a different device. Contact qualified technical personnel if the previous check is not conclusive

B. IF THE FAN MOVES 2 CENTIMETERS OR MORE
The blades and supports are asymmetrical or curved due to transport:
- adjust the blades and supports.
- Leave the fan running for a few hours. If the displacement does not correct, swap 2 neighboring blades

C. IF THE ENGINE IS BLOCKED
Proceed immediately to deactivate the relative disconnecter on the electrical panel and contact qualified technical personnel.

